

Dealer  
Contact  
Address  
Phone  
Fax  
Email

**IN STOCK WITH 3257 MILES**



**SPRINTER**  
PREFERRED UPFITTER

Customer  
Contact  
Address  
Phone  
Email

BATTISTI DEMO SHUTTLE

[WWW.BCSPRINTER.COM](http://WWW.BCSPRINTER.COM)

Chassis  
Conversion  
Chassis Dealer  
Sales Manager  
Vin#  
BC#

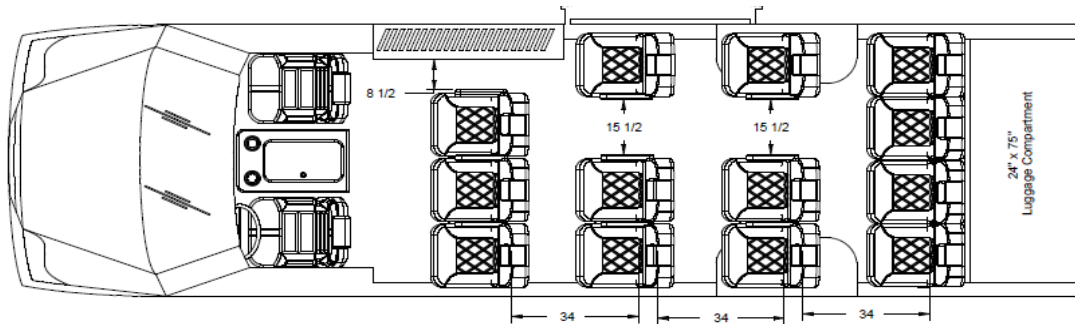
**2015 3500 Mercedes Sprinter 170E**  
Concorde Edition

2994 Paul Drive Elkhart, IN 46514  
Phone: 574-262-5466 Fax: 574-206-0024

WD3PF4CCXFP121901  
15119

**3500 CONCORDE FLOOR PLAN**

Option #1 Seating Configurations  
9- 18" Seats  
1 - 4 Pass Fixed Rear Bench  
Dr/Co  
24" Luggage



---

**CONCORDE STANDARD FEATURES**

Black Gerfloor Non-Skid Sound Dampening Coach Flooring or Black Carpet  
Side Walls and Door with Vinyl Upper and Lower Carpet Kick Panels  
Automotive Headliner Rolled Valance with 6" Gloss Black Wood Accent with BLUE Indirect back Lighting  
Vinyl Wrapped Pillars with 2" Black Gloss Wood Inserts Blue Led Edge Lighting  
Carpet Kick panels on lower rear walls  
Insulation Package Sidewalls, Ceiling, and Doors  
(6) Charging Stations (One at Each Seat Position) -- Each include a 12v Outlet and USB Port  
(6) LED Floor Lights one at each seat position  
(7) Magnified LED Puck Lights with Chrome Ring  
(4) Rear 6.5" 2-way Speakers with tweeter connected to Dash Stereo  
Touch Screen Stereo with DVD/ CD/ IPOD / AMFM / MP3 / USB  
(1) Relay Board with 3-Switch System for Indirect, Floor, and Ceiling Lighting  
(2) Powder Coat Flat Black Grab Rails at Left and Right of Entrance Door  
Rear 30" x 61" X 61" Luggage Area Lighted, with Gray Automotive Trunk Liner  
Walls and (2) Retractable Coat Hangers  
Full Rear Partition Wall with Air Return Vents  
46,000 BTU Air/Heat system with 2nd Compressor / 3 Fan Condenser / Free  
Blow Evaporator / Manual Driver Dash Control  
Black Aluminum Running Boards  
Emergency Egress Driver Side Escape Window ( Mercedes Factory Part)

---

**Chassis 2015 3500 Mercedes Sprinter 170 Extended  
Jet Black Exterior**

6 Cylinder 3.0ltr Diesel Engine with 20 MPG  
Dual Rear Wheels with Chrome Wheel Simulator Package  
Power Mirrors / Cruise / PW / PL  
Mercedes Badging Package with Chrome Trim Grill  
2nd Factory Battery  
Factory High Idle  
Windows Package with Limo Tint  
Aux Bracket for 2nd Compressor  
Driver/Copilot Seats – OEM Black Fabric  
Premium Package  
Single Manual Sliding Door

FACTORY GVWR 3500: **11,030**  
**DEALER SUPPLIED CHASSIS**

| CONCORDE INTERIOR OPTIONS |  |       |     |                  |
|---------------------------|--|-------|-----|------------------|
|                           | Front Cab  | PRICE | QTY | SELECTED OPTION  |
|                           | Front Seat Recovers Ultra Soft Touch Material  |       | 1   | \$ -             |
|                           | Seat and Back Heat in DR/ Pass front Seat  |       | 1   | \$ -             |
|                           | 5-PC Wood Grain Dash Treatment   |       | 1   | \$ -             |
|                           | Front Cab Carpet Package with Custom Floor mats  |       | 1   | \$ -             |
|                           | Console Between Driver/Passenger with (2) Cup Holders and (1) 18-can Cooler (Self-Draining/Insulated)  |       | 1   | \$ -             |
| Electronics               |  |       |     |                  |
|                           | 32" LED Automotive TV with 1/4 Front Wall with Black Gloss TV Surround 2- HDMI Ports   |       | 1   | \$ -             |
|                           | Upgrade Front Dash Stereo DBL Din Touch Screen AM/FM, DVD,CD,IPOD,MP3,USB (GPS)  |       | 1   | \$ -             |
|                           | Rear 3rd Break Light Back up Camera with Visual Ability on front Touch Screen Stereo   |       | 1   | \$ -             |
|                           | Pure sine 1000watt Inverter with 4- 110 Individual Outlets on Driver Side Wall   |       | 1   | \$ -             |
|                           | Wi-Fi Automotive Internet Router   |       | 1   | \$ -             |
| Rear Interior             |  |       |     |                  |
|                           | Gerflor Sound Dampening Upgraded CoachFlooring<br>(Color&Style MUST be chosen in Customer Preferences Section)   |       | 1   | \$ -             |
|                           | Black Snap in Removable Rear Carpet Runner   |       | 1   | \$ -             |
|                           | Pleated Night Shades Fabric Match all Rear Windows   |       | 1   | \$ -             |
|                           | High Gloss PKG Includes: 6" Valance<br>Accents / 2" Pillar Inserts / 12" Ceiling Center / TV Surr.<br>(Color&Style MUST be chosen in Customer Preferences Section) |       | 1   | \$ -             |
|                           | Business Class Upper Wood Grain Lower Wall Ledges with 7 - Wood Grain Flip Down Cup Holders  |       | 1   | \$ -             |
| <b>Y PLUS+</b>            | Hadley Swan OverHead Rack System with Under Mount Reading and Over Rack Courtesy Lights - Driver and Passenger Side  |       | 1   | \$ -             |
| Seating                   |  |       |     |                  |
|                           | 18" Bentley Style Transit Seats 3pt belt, Recline, Map Pocket, Ultra Soft Vinyl  |       | 9   | \$ -             |
| <b>SCISSOR FOLD</b>       | Jackknife Fold Down Sofa   |       | 1   | \$ -             |
|                           | Under-Seat Drawer Refrigerator (Under Rear Fixed Bench)  |       | 2   | \$ -             |
| Exterior                  |  |       |     |                  |
| <b>GLASS</b>              | GLASS Roof Escape Hatch  |       | 1   | \$ -             |
|                           | BC-2 Front Bumper Cover Color Code to Match with 4" Round Fog lights   |       | 1   | \$ -             |
|                           | Painted Exterior Moldings - Color-Keyed to Match Paint   |       | 1   | \$ -             |
| <b>GRAPHITE GREY MET.</b> | Full Exterior Color Paint Change   |       | 1   | \$ -             |
| <b>Special Order</b>      | Auto Cool Telesopic Power Door Step Sprinter   |       | 1   | \$ -             |
| Custom Options            |  |       |     |                  |
|                           | Interior Seat Covers for inclimate weather protection w/ MB Star on headrests  |       | 11  |                  |
|                           | Interior Bench Seat Cover for inclimate weather protection w/ one MB Star in center  |       | 1   |                  |
|                           | Exterior Vehicle cover w/ MB Star on nose of cover   |       | 1   |                  |
|                           | TOTAL OPTIONS  |       | \$  | -                |
|                           | TOTAL STANDARD CONVERSION PRICE W/ CHASSIS   |       | \$  | 83,000.00        |
|                           | STANDARD HANDLING FEE(See Shipping Note Below)   |       | \$  | 100.00           |
|                           | TOTAL PRICE DUE  |       | \$  | 83,100.00        |
|                           |  |       |     | ACCEPTING OFFERS |
| Customer Preferences      |  |       |     |                  |
| Seat Style:               | Bentley  |       |     |                  |
| Stitching:                | Black  |       |     |                  |
| Seat Color:               | Black  |       |     |                  |
| Indirect Lighting:        | Blue   |       |     |                  |
| Wood Color:               | Red Burr   |       |     |                  |
| Interior Color:           | Med Graphite Lower walls with Black Carpet   |       |     |                  |
| Exterior Color:           | Graphite Grey Metallic MERCEDES PAINT CODE: 759  |       |     |                  |
| Floor Color:              | Nature   |       |     |                  |
| NOTE                      | Graphite Suede Ceiling   |       |     |                  |

**Disclaimer Note Be Advised:**

©2015 Battisti Customs Inc.

**1. Customers are Responsible for all local and Federal DOT Requirements**

Federal Regulations for (VANS) including but not limited to Mercedes Sprinters, Ford Transit, Chrysler ProMaster with Full Back Partition walls that are for Passengers Transportation are required to have a roof escape hatch acting as a rear exit this is an option listed on all Battisti Customs order forms.

10 Passengers or Less will be labeled as a (MPV) on the Secondary Manufactures Door Tag

11 Passengers or More will be labeled as a (Bus) on the Secondary Manufactures Door Tag



**2. Product & Build Specifications**

**Due to constant improvements in our product, all specifications, dimensions, and equipment availability are subject to change without notification.**

**3. Estimate you vehicles build-time**

**Battisti Customs will not compensate or reimburse any customer's loss of revenue due to a delay in your vehicles production.**

Battisti Customs is always striving to meet or exceed our customer's and dealer's needs. Battisti Customs employees and owners also have good understanding of the urgency to receive your parts or vehicle conversion in a timely manor. Unfortunately due to circumstance beyond our control all ship dates are only good estimates. Battisti Custom's estimates of completion and do not allow for transportation of your vehicles, delay in receiving parts from suppliers, driver arrangements, longer than estimated build-time do to the custom nature of the products we manufacturer.

**Also please allow time beyond your completion date for:**

- A. Longer than estimated lead-time
- B. Transportation
- C. Time to properly D.O.T., and Register your new vehicle.
- D. Dealer P.D.I. and Delivery

**4. Payment and Shipping**

**All Completed Vehicles and Freight Must be paid in full before your vehicle can leave Battisti Custom's Facility and you can take receipt of your new vehicle.**

The State of Indiana Requires that Battisti Customs Inc. receive payment for shipping regardless if the customer picks up the unit. There will be a \$100 Handling Fee for customer pick up on Battisti Customs Units. If you would like Battisti Customs to set up shipping for delivery of your unit it will

cost approximately \$1.28 per mile and the \$100 Handling fee will be removed. All shipping charges must be paid before your vehicle is released for delivery.

**5. Legal Disclaimer**

The parties agree that the State Courts of Elkhart County, Indiana shall have exclusive jurisdiction and venue regarding any disputes arising out of this agreement.

The purchaser is responsible for all costs and expenses, including but not being limited to reasonably attorney fees, incurred by Battisti Customs, Inc. in enforcing this agreement.

*Thank you for your business.*

**Customer Signature of Acceptance:** \_\_\_\_\_

**Date:** \_\_\_\_\_