

Chassis  
Conversion

Ford Transit - GAS  
Executive Shuttle Series

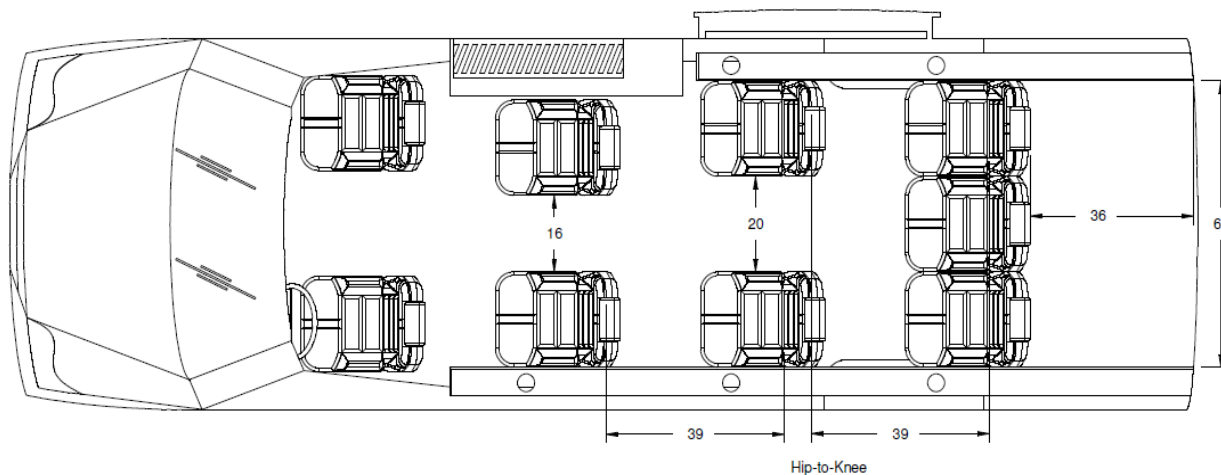


Vin#  
BC#

1641

2994 Paul Drive Elkhart, IN 46514  
Phone: 574-262-5466 Fax: 574-206-0024

**EXECUTIVE SHUTTLE FLOOR PLAN**



**CUSTOM FLOORPLANS AVAILABLE**

**EXECUTIVE SHUTTLE STANDARD FEATURES**

- Black Gerfloor Non-Skid Sound Dampening Coach Flooring or Black Carpet
- Side Walls and Door with Vinyl Upper and Lower Carpet Kick Panels
- Automotive Headliner Rolled Valance with 6" Gloss Black Wood Accent with WHITE Indirect back Lighting
- Vinyl Wrapped Pillars with 2" Black Gloss Wood Inserts White Led Edge Lighting
- Carpet Kick panels on lower rear walls
- Insulation Package Sidewalls, Ceiling, and Doors
- (6) Charging Stations (One at Each Seat Position) -- Each include a 12v Outlet and USB Port
- (6) LED Floor Lights one at each seat position - White Light
- (7) Magnified LED Puck Lights with Chrome Ring - White Light
- (4) Rear 6.5" 2-way Speakers with tweeter connected to REAR Stereo
- Front Touch Screen Double Din Stereo with DVD/ CD/ IPOD / AMFM / MP3 / USB/ BT
- (1) Relay Board with 3-Switch System for Indirect, Floor, and Ceiling Lighting
- (2) Powder Coat Flat Black Grab Rails at Left and Right of Entrance Door
- Rear 36" x 61" X 61" Luggage Area Lighted, with Gray Automotive Trunk Liner Walls and 2 Retractable Coat Hangers
- Full Rear Partition Wall with Air Return Vents
- 46,000 BTU Air/Heat system with 2nd Compressor / 3 Fan Condenser / Free Blow Evaporator / Manual Driver Dash Control
- Black Aluminum Running Boards

**EXECUTIVE SHUTTLE INTERIOR OPTIONS**

<b>Front Cab</b>	<b>QTY</b>
Front Seat Recovers Ultra Soft Touch Material	1
5-PC Wood Grain Dash Treatment	1
Front Cab Carpet Package with Custom Floor mats	1
Safety Package -- Includes (1) 19" Steel Tool Box; (3) Dot Reflective Triangles; (1) 2 3/4LB. Fire Extinguisher; (3) 20Min Highway Safety Fuses w/ Wire Stand	1
<b>Electronics</b>	
32" <b>Smart</b> LED TV with 1/4 Front Wall with Black Gloss TV Surround 2- HDMI Ports	1
Advanced Premium Sound System 1- 10" Subwoofer/ 1000 watt Amp	1
Rear 3rd Break Light Back up Camera with Visual Ability on front Touch Screen Stereo	1
Pure sine 1000watt Inverter with 3- 110 Individual Outlets on Driver Side Wall	1
Rear Stereo DBL Din Touch Screen AM/FM, BT, DVD,CD,IPOD,MP3,USB - <b>Mounted next to 32" TV</b>	1
<b>Mobile Intergrated Technology</b>	
<b>WIRELESS INTERNET</b>	
FUNCTION: To provide vehicle with wireless internet up to 14 connections through wireless phone company. System is to provide best mobile service possible while vehicle is in motion.	
NOTE: Customer must choose (Verizon or AT&T) as Internet service provider & Customer also must set up service to this product.	1
Includes:	
SIERRA WIRELESS MODEM ( <b>Verizon</b> )	
 (8) Wireless Headphones	1
HD Antenna	1
<b>Rear Interior</b>	
Gerfloor Sound Dampening Upgraded CoachFlooring	1
(Color&Style <b>MUST be chosen in Customer Preferences Section</b> )	
Pleated Night Shades Fabric Match all Rear Windows	1
High Gloss Package Includes:	
6" Valance Accents / 2" Pillar Inserts / 12" Ceiling Center / TV Surr.	1
(Color&Style <b>MUST be chosen in Customer Preferences Section</b> )	
Lower Wood Grain Concord Wall Ledges with Cupholders at Each Seat	1
<b>Seating</b>	
20" Seats - Ultra Soft Touch Seats 3pt Belt and Map Pocket	7
In Seat -Back Heat	7
<b>Custom Options</b>	
Spartan Logo on all Seat Headrests	1
***MSU Green with Silver Spartan Head Logo and Stitching***	1
New Style Overhead Luggage Racks with High Gloss Wood Cabinet Doors	1

**Customer Preferences**

Seat Style: **Denali with Spartan LOGOS in Silver in the Head Rest**  
 Stitching: **MSU Green Seats with Silver Stitching & Light Camano Piping (Monterey)**  
 Seat Color: **OXEN SOFT - OXS 9844 GREEN**  
 Indirect Lighting: **GREEN**  
 Wood Color: **Silver Stripe Tiger High Gloss**  
 Carpet: **CA 8075 Medium Gray - Miami**  
 Shades: **Sterling - United Shade**  
 Interior Color: **Light Camano Gray - Monterey**  
 Ceiling Color: **SDL54 Mercury - Suede - Keystone**  
 Floor Color: **Walnut**