



WWW.BCSPRINTER.COM
 2994 Paul Drive Elkhart, IN 46514
 P:574.262.5466 F:574.206.0024

BC#

1658

G2.5 LIMOUSINE STANDARD FEATURES

SEATING

L' Style Seating with Double Needle Accents with LED Floor Perf Stainless Mesh Accent Lights and Open Under-Seat Storage Area
 Rear Bench (6-Passenger with Lap Belts) with High Gloss Wood Corner Top - Stainless Steel Trash Shoot
 Front Bench (7-Passenger with Lap Belts) with High Gloss Wood Corner Top - With (3) Cup Holders
 6" Vinyl Wrapped Arm with 2 Cup Holders in Door Step

WALLS/VALANCE

Complete Insulation Package Includes: Ceiling / Walls / Doors
 Valance with High Gloss Wood Accent Panel Upper Indirect LED Lighting and Ceiling RGB Lighting
 5 Chrome Grab Handles with Rubber Ribbed Inserts
 Grab Handle - Left Hand Entry
 Vinyl Wrapped Pillars with High Gloss Wood Center Accents and Acrylic LED-Lighted Edges
 Headliner Wrapped Lower Walls
 Vinyl Wrapped Rear Wall with Cool Air Returns, Air Vents, and All Audio/Visual Components 32" LED TV with High Gloss Wood Trim
 Custom Privacy Shades Package

CEILING

Maybach Ceiling - 15 Panel Led Lights with Black Gloss Trim
 Suede Headliner
 Escape Hatch

PARTITIONS

Vinyl Wrapped Front Wall with Power Partition
 Front Wall Includes - 32" LED TV with Black Acrylic Center Wall
 Rear Wall - Vinyl Wrapped with 32" TV and Black Acrylic Center Wall and Mercedes Lighted Emblem
 24"X61"X61" Rear Luggage Area with Overhead Light Gray Trunk Liner Walls/Durable Coach Flooring(2) Coat Hangers

FLOORING

Black High Density Sound Damping Coach Flooring or Carpet - with Aluminum Step Edge with Matching Flooring Insert
 Carpet Runner with slip knot backing

CONSOLES

Lighted RGB-Edge Lighting, Vinyl wrapped Bar with Black Vinyl and Carpeted Bottom, (2) High Gloss Wood Bar Tops
 (10)Flute Glass Holders inside Frosted Insert LED Lighted
 Perforated Stainless Mesh Accent
 (10) Cup Holders, and (1) 48-Can Cooler
 ALL Flute Glass Holders and Cup Holders come with Glasses

ELECTRONICS

Complete Electrical System with CPU and 2 Relay Boards Master Driver Control Switch and Rear Switch Panels
 (2) 32" Automotive LED TV-12V Front and Rear
 (1) 1000 watt 5 Channel Amplifier with (2) Built-In Crossovers
 10" Subwoofer with Dual Voice Coil
 (4) Two-Way 6.5" Speakers with Built in Tweeter
 Front Touch Screen Double Din Stereo with CD/ Bluetooth / IPod / MP3 / AM/FM and Rear Camera Visual
 Rear Stereo Double Din Touch Screen AM/FM, DVD,CD,IPOD,MP3,USB
 Rear 3rd Break light Backup Camera with Visual Ability on Front Touch Screen Stereo
 HDMI Port
 (2) 12Volt Outlet/ USB Port Charging Stations LOCATED Front and Rear wall
 RGB Controller
 (1) 110 outlet
 Front Wall Wired Remote to Rear Stereo

AIR/HEAT SYSTEM

46,000 BTU Air/Heat System with Aux Compressor, 3 Fan Condenser, Hanging Free Blow Evaporator, and Rear Digital Controls

EXTERIOR LISTING

Fiberglass Wide Step Running Boards with Factory Paint Match with Ryno lined steps and Full LED Sliding Door Lighted Step
 Emergency Egress Driver Side Escape Window
 Chrome Wheel Simulators (Dual Rear Wheels) or Silver Wheel Simulators (Single Rear Wheels)

WARRANTY

Battisti Customs Inc. - Limited (3) Years or 36,000 Miles

MERCEDES SPRINTER CHASSIS

CODE

CHASSIS ACCESSORY DESCRIPTION

| | |
|----------------|---|
| 040 | Jet Black Exterior |
| 6CE | 6 Cylinder 3.0ltr Diesel Engine with 20 MPG |
| F68 | Exterior Mirrors - Power / Heated |
| MS1 | Cruise Control |
| FK3 | Mercedes Badging Package with Chrome Trim Grill |
| SB1/SB2 | Premium Package Driver/Copilot Seats – OEM Black Fabric |
| T16 | Single Manual Sliding Door |
| N63 | Aux A/C Compressor Bracket |
| F02 | Window Fleet Package |
| W61 | Window in Tailgate/ Rear Door |
| W70 | Tint for Rear Windows and Rear Side Windows |
| X27 | Additional 2nd Factory Battery |
| X06 | Factory High Idle Fixed Package |
| X17 | Suspension Package 1 |
| U07 | Battisti Customs Inc. - Elkhart Indiana Factory Mercedes Warranty - Limited (3) Years or 36,000 Miles Bumper to Bumper (5) Years or 100,000 Miles Engine / Paint |

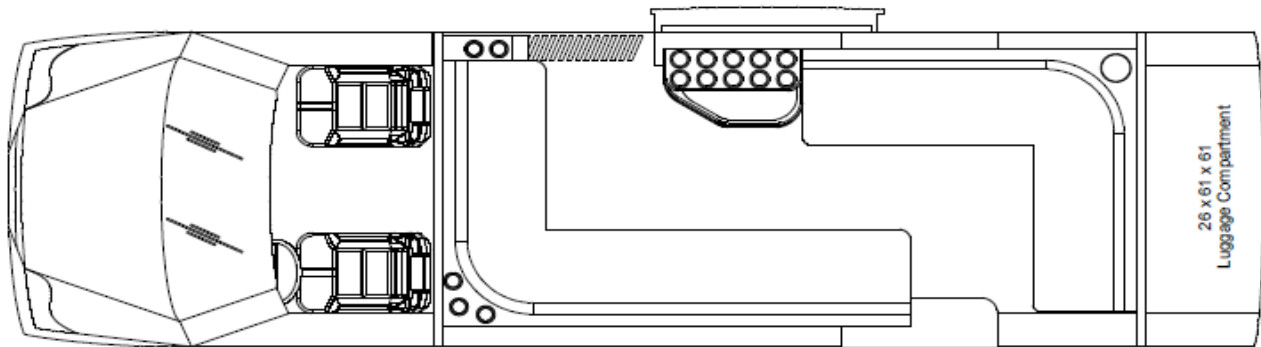
| YEAR | SPRINTER CHASSIS DESCRIPTION | PRICE | QTY | SELECTED OPTION |
|------|--|-------|-----|-----------------|
| 2016 | Mercedes Sprinter 170E 3500 GVWR 11030 | | 1 | |

ACCESSORIES

| COACH ELECTRONICS | | | |
|---|--|---|--|
| Advanced Premium Sound - 2nd 10" Subwoofer/ Additional 400watt Amp / Premium Component 6.5" Speakers with Individual Crossover and Tweeters | | 1 | |
| AIR & HEAT SYSTEM | | | |
| Additional Control Panel - Digital Air & Heat System Control Panel in Driver Compartment | | 1 | |
| Ducted System Upgrade - AC & Heat Large Free Blow Evaporator to Increase System to 65,000 BTU with Rear Wall Pattern that Matches evap Blower Location to Louver Location for Maximum CFM | | 1 | |
| REAR INTERIOR | | | |
| Wood Coach Flooring - Gerfloor Upgraded Sound Dampening (<i>Color & Style MUST be chosen in Customer Preferences Section</i>) | | 1 | |
| EXTERIOR | | | |
| BC-2 Front Bumper - Paint to Match with 4" Round Fog lights | | 1 | |
| Escape Hatch - Smoked Glass Roof (Standard Upgrade) | | 1 | |
| CUSTOM ACCESSORIES | | | |
| Mercedes Emblem - Lighted on Front Grill | | 1 | |
| Mercedes Logo - Embroidered on Front Divided | | 1 | |
| | | | |
| | | | |

FLOOR PLAN

| | |
|------------------|--------------|
| Cabin Passenger: | 2 |
| Coach Passenger: | 13 |
| Rear Luggage: | 26 x 61 x 61 |



INTERIOR PREFERENCES

- Seat Style: Chaimen Elite Limo Bench Seats
- Seat Color: Black
- Stitching Color: Tan
- Indirect Lighting: White / RGB
- Interior Color: Black / Tan Accents
- Ceiling Color: Tan Suede
- Maybach Ceiling: Black Gloss
- H/G Wood Color: Two Tone Ash Grain
- Floor Color: Nature