

Dealer
Contact
Address
Phone
Fax
Email

Customer
Contact
Address
Phone
Email

Signed Order Date
Estimated Build Time

8 weeks

Chassis
Conversion
Chassis Dealer

2016 3500 Mercedes Sprinter 170E
Concorde Edition

Vin#
BC#

1645

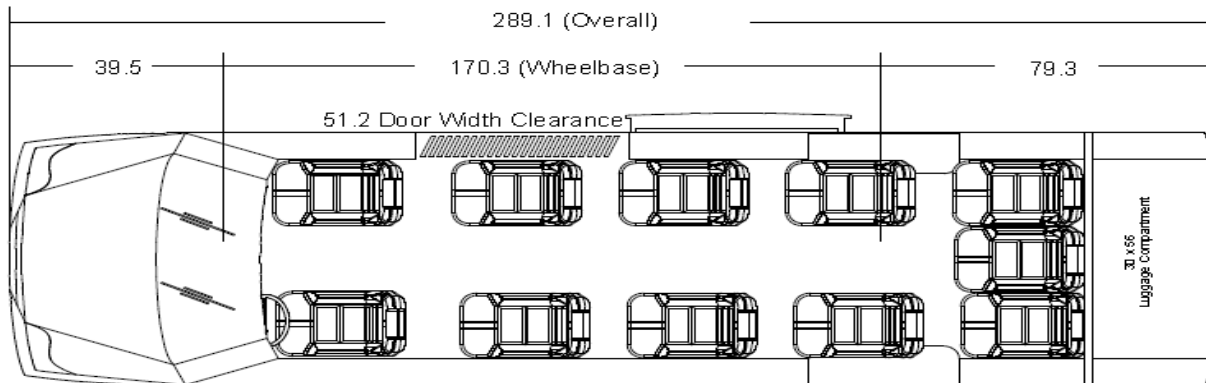
3500 CONCORDE FLOOR PLAN



SPRINTER
PREFERRED UPFITTER

WWW.BCSPRINTER.COM
2994 Paul Drive Elkhart, IN 46514
Phone: 574-262-5466 Fax: 574-206-0024

Option #1 Seating Configurations



CUSTOM FLOORPLANS AVAILABLE

CONCORDE STANDARD FEATURES

Black Gerfloor Non-Skid Sound Dampening Coach Flooring or Black Carpet
 Side Walls and Door with Vinyl Upper and Lower Carpet Kick Panels
 Automotive Headliner Rolled Valance with 6" Gloss Black Wood Accent with BLUE Indirect back Lighting
 Vinyl Wrapped Pillars with 2" Black Gloss Wood Inserts Blue Led Edge Lighting
 Carpet Kick panels on lower rear walls
 Insulation Package Sidewalls, Ceiling, and Doors
 (6) Charging Stations (One at Each Seat Position) -- Each include a 12v Outlet and USB Port
 (6) LED Floor Lights one at each seat position
 (7) Magnified LED Puck Lights with Chrome Ring
 (4) Rear 6.5" 2-way Speakers with tweeter connected to Dash Stereo
 Touch Screen Stereo with DVD/ CD/ IPOD / AMFM / MP3 / USB
 (1) Relay Board with 3-Switch System for Indirect, Floor, and Ceiling Lighting
 (2) Powder Coat Flat Black Grab Rails at Left and Right of Entrance Door
 Rear 30" x 61" X 61" Luggage Area Lighted, with Gray Automotive Trunk Liner Walls and (2) Retractable Coat Hangers
 Full Rear Partition Wall with Air Return Vents
 46,000 BTU Air/Heat system with 2nd Compressor / 3 Fan Condenser / Free Blow Evaporator / Manual Driver Dash Control
 Black Aluminum Running Boards
 Emergency Egress Driver Side Escape Window (Mercedes Factory Part)

**Chassis
2016**

**3500 Mercedes Sprinter 170 Extended
Jet Black Exterior**
 6 Cylinder 3.0ltr Diesel Engine with 20 MPG
 Dual Rear Wheels with Chrome Wheel Simulator Package
 Power Mirrors / Cruise / PW / PL
 Mercedes Badging Package with Chrome Trim Grill
 2nd Factory Battery
 Factory High Idle
 Windows Package with Limo Tint
 Aux Bracket for 2nd Compressor
 Driver/Copilot Seats – OEM Black Fabric
 Premium Package
 Single Manual Sliding Door

FACTORY GVWR 3500: **11,030**

CONCORDE INTERIOR OPTIONS

	QTY
Front Cab	
Front Seat Recovers Ultra Soft Touch Material	1
5-PC Wood Grain Dash Treatment	1
Front Cab Carpet Package with Custom Floor mats	1
Console Between Driver/Passenger with (2) Cup Holders and (1) 18-can Cooler (Self-Draining/Insulated)	1
Electronics	
32" LED Automotive TV with 1/4 Front Wall with Black Gloss TV Surround 2- HDMI Ports	1
Rear 3rd Break Light Back up Camera with Visual Ability on front Touch Screen Stereo	1
Air/Heat System	
Larger AC/Heat Free Blow Evaporator to Increase System to 66,000 BTU with rear wall pattern that matches evap blower location to louver location	1
Rear Interior	
Gerfloor Sound Dampening Upgraded Coach Flooring (Color&Style MUST be chosen in Customer Preferences Section)	1
Wood Grain Lower Wall Ledges with Stainless Cup Holders	1
Seating	
20" Bentley Style Captains Chairs 3point Belt, Recline, Map Pocket, Ultra Soft Vinyl	9
Exterior	
Roof Escape Hatch	1
Fiberglass Wide Step Running Board Upgrade w/Factory Paint Match and Step Treads	1

Customer Preferences

Seat Style: Chairmen 250 Bentley
 Stitching: Grey
 Seat Color: Black
 Indirect Lighting: Blue
 Wood Color: Walnut
 Interior Color: Black
 Accent Color: Charcoal Suede
 Floor Color: Walnut

NOTE:SS If Carpet Runner Option Is Chosen: Wood Floors Have Snaps in Carpet Runner/Carpet Floors Have No Snaps in Carpet Runner.