

Dealer  
Contact  
Address  
Phone  
Fax  
Email

Customer  
Address  
Phone  
Email  
Email #2

Signed Order Date  
Estimated Build Time

8-11 weeks from delivery of chassis

Chassis  
Conversion  
Chassis Dealer

2016 2500 Mercedes Sprinter 170E  
Personal Traveler



**SPRINTER**  
PREFERRED UPFITTER

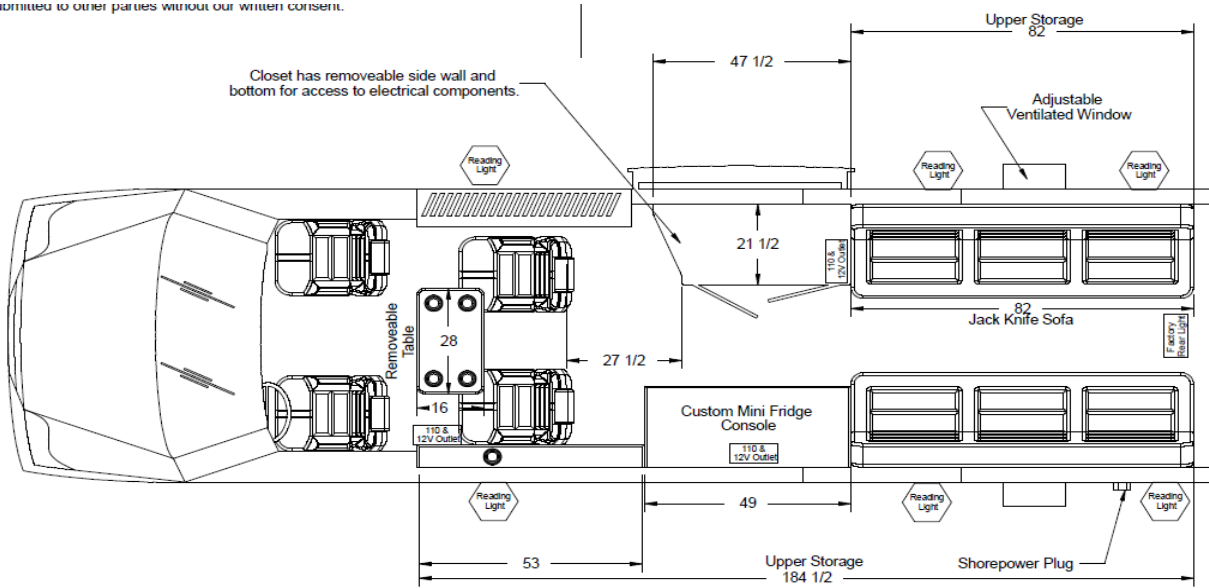
WWW.BCSPRINTER.COM  
2994 Paul Drive Elkhart, IN 46514  
Phone: 574-262-5466 Fax: 574-206-0024

Vin#  
BC#

15122

3500 EXECUTIVE SHUTTLE FLOOR PLAN

submitted to other parties without our written consent.



---

**EXECUTIVE SHUTTLE STANDARD FEATURES**

Black Gerfloor Non-Skid Sound Dampening Coach Flooring or Black Carpet  
Side Walls and Door with Vinyl Upper and Lower Carpet Kick Panels  
Automotive Headliner Rolled Valance with 6" Gloss Black Wood Accent with BLUE Indirect back Lighting  
Vinyl Wrapped Pillars with 2" Black Gloss Wood Inserts Blue Led Edge Lighting  
Carpet Kick panels on lower rear walls  
Insulation Package Sidewalls, Ceiling, and Doors  
(6) Charging Stations (One at Each Seat Position) -- Each include a 12v Outlet and USB Port  
(6) LED Floor Lights one at each seat position  
(7) Magnified LED Puck Lights with Chrome Ring  
(4) Rear 6.5" 2-way Speakers with tweeter connected to Dash Stereo  
Front Touch Screen Double Din Stereo with DVD/ CD/ IPOD / AMFM / MP3 / USB/ BT  
(1) Relay Board with 3-Switch System for Indirect, Floor, and Ceiling Lighting  
(2) Powder Coat Flat Black Grab Rails at Left and Right of Entrance Door  
Rear 30" x 61" X 61" Luggage Area Lighted, with Gray Automotive Trunk Liner Walls and 2 Retractable Coat Hangers  
Full Rear Partition Wall with Air Return Vents  
46,000 BTU Air/Heat system with 2nd Compressor / 3 Fan Condenser / Free Blow Evaporator / Manual Driver Dash Control  
Black Aluminum Running Boards  
Emergency Egress Driver Side Escape Window ( Mercedes Factory Part)

---

**Chassis  
2015**

**3500 Mercedes Sprinter 170 Extended  
Jet Black Exterior**

6 Cylinder 3.0ltr Diesel Engine with 20 MPG  
Dual Rear Wheels with Chrome Wheel Simulator Package  
Power Mirrors / Cruise / PW / PL  
Mercedes Badging Package with Chrome Trim Grill  
2nd Factory Battery  
Factory High Idle  
Windows Package with Limo Tint  
Aux Bracket for 2nd Compressor  
Driver/Copilot Seats – OEM Black Fabric  
Premium Package  
Single Manual Sliding Door

FACTORY GVWR 3500: **11,030**

**EXECUTIVE SHUTTLE INTERIOR OPTIONS**

	<b>QTY</b>
<b>Front Cab</b>	
Front Seat Recovers Ultra Soft Touch Material	1
5-PC Wood Grain Dash Treatment	1
Front Cab Carpet Package with Custom Floor mats	1
<b>Electronics</b>	
Upgrade Front Dash Stereo - <b>Clarion X405</b> DBL Din Touch Screen AM/FM, DVD,CD,IPOD,MP3,USB ( <b>GPS</b> )	1
Satellite Radio (Sirius) Dash Stereo	1
Rear 3rd Break Light Back up Camera with Visual Ability on front Touch Screen Stereo	1
<b>Air/Heat System</b>	
Larger AC/Heat Free Blow Evaporator to Increase System to 66,000 BTU with rear wall pattern that matches evap	1
<b>2nd Digital Air/Heat System Control Panel on Closet Wall</b>	1
<b>Rear Interior</b>	
Gerfloor Sound Dampening Upgraded CoachFlooring	1
Pleated Night Shades Fabric Match all Rear Windows - Add Night Shades to Rear Doors	1
Remove Rear Partition Wall	1
High Gloss Package Includes:6" Valance Accents / 2" Pillar Inserts / 12" Ceiling Center / TV Surr.	1
Chrome Directional LED Reading Lights Package--Includes (7) LED Lights	1
<b>Seating</b>	
20" forward facing rear executive Seats w/3-pointBelts/ Arm Rest /Swivel seats/ BC seats/Map Pockets	2
<b>Exterior</b>	
Fiberglass Wide Step Running Board Upgrade w/Factory Paint Match and Step Treads	1
BC-2 Front Bumper Cover Color Code to Match with 4" Round Fog lights	1
Painted Exterior Moldings - Color-Keyed to Match Paint	1
<b>Custom Options</b>	
Jack Knife Sofa With <b>(3)</b> Lap Belts & Open Storage under - Sofa's to Meet in the Middle	2
Closet with Cloths Rack and Upper Shelf	1
Removable Table with Cup Holders - <b>(2) Legs</b> under the table ( <b>Add 2nd Set on Floor Plates in Rear Between Jack Knife Sofa's</b> ) - Straps in Closet to Hold Table When Not In Use	1
<b>Dometic 2410 - 4 cu ft Mini Fridge</b> Console - Corian Top with Drawers on Both Sides of Fridge - (2) puck lights over console with <b>Separate Switch for lights</b> - 3- Drawers on one side and 2- Drawers on the other side of REFR - <b>Fold Up Counter Top on the Right Side of Counter</b>	1
Shore Power Cord <b>Mounted on D/S Rear</b> with Inverer to Work on all Interior Electronics	1
Pure sine 3000 Watt inverter with 2 110 indiviual outlets on driver side wall	1
Electronic Canopy on Curb Side - Color Titanium - Canopy Cloth - Everygreen	1
Cr Lawrence Windowss D/S and P/S Rear - D/S Front	3
Overhead Cabinets with Doors and Latches - (Curve Edges as Much as Possible) <b>SEE ATTACHED PICTURES</b>	1
Cabinets will run full length on D/S and from rear to Closet on P/S - Cloths Rack Holder under Overhead Rack above	2
Charging Stations (2) Rear By Sofa,( 1) By Rear Passenger Front Seat Behind Driver ( 3) total	1
Limo Tint on Front D/S and P/S Windows - 20% Tint	1
Add a good quality stainless rear door ladder on Driver side rear as close to the center line of the vehicle as possible.	1
Road Shower Mounted on Top of Sprinter - <a href="http://roadshower.com/woo/product/road-shower/">http://roadshower.com/woo/product/road-shower/</a> Mount Shower from	1
Espar Airtronic 7500 BTU Diesel Heater Mounted in Front of Fridge/Cabinet & Behind Capitan Chair with Exhaust	1
High Altitude Sensor Unit Mounted on Closet Wall next to A/C Controls - <a href="http://www.lubricationspecialist.com/timers-">http://www.lubricationspecialist.com/timers-</a>	1
***Mount 2nd A/C Controls - High Alitude Sensor - Espar Airtronic Heater Controls on Closet Wall for Easy Access***	1
Install (1/4 Wall) Storage Above Drivers Area With Matching Doors in Place of 32" TV. Add Sliding Curtian Under	1
<b>Customer Preferences</b>	
Seat Style: Chairman 20" Seats with Arm Rest - Bentley	
Stitching: Tan	
Seat Color: Driftwood Halo	
Indirect Lighting: White	
Wood Color: Walnut	
Interior Color: Monterey Driftwood	
Ceiling Color: Tan	
Floor Color: Nature	
Laminate <b>1st ChoiceOrange Grove D501-60</b> ---- 2nd Choice D498-60 Island Green Mat - only use 2nd choice if 1st isn't available	
Corian Canyon - E	
<b>D-3</b> If Carpet Runner Option Is Chosen: Wood Floors Have Snaps in Carpet Runner/Carpet Floors Have No Snaps in Carpet Runner.	