

ORININGAL BUILD DATE 10/22/2012

WWW.BCSPRINTER.COM

Chassis  
Conversion  
Vin#

2500 Mercedes Sprinter 170E  
Standard SLE-170 Limousine  
WD3PE8CC0C5683453  
2500 Interior Limousine Floor Plan

2994 Paul Drive  
Elkhart, IN 46514  
Phone: 574-262-5466  
Fax: 574-206-0024

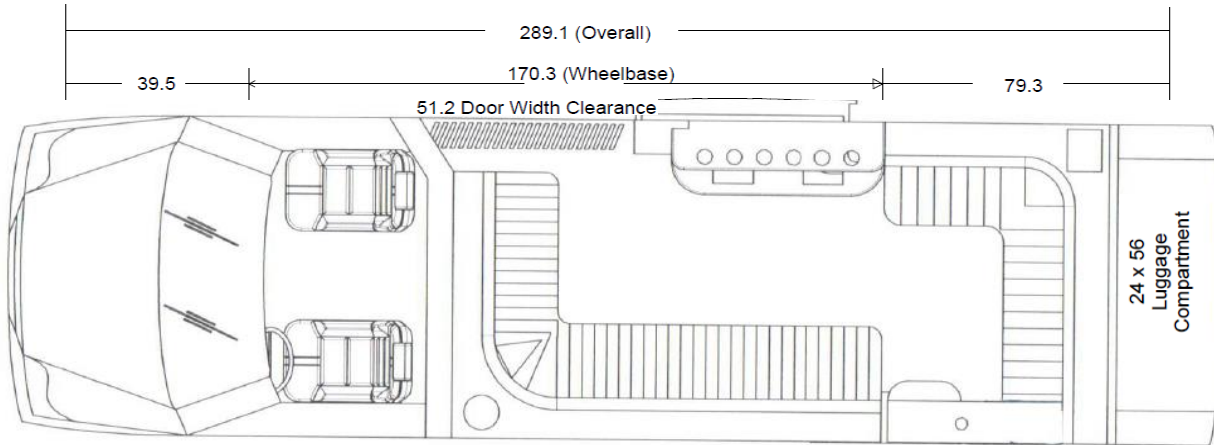


**Seating**

**Configurations**

**Option #2**

7 Pass Bentley Style L-Sofa with Lap Belts Ultra Soft Touch Material  
3 Pass Bentley Style L-Sofa with Lap Belts Ultra Soft Touch Material



## 2500 Interior Limousine Standard Features List

<b>Walls/Valance</b>	Complete Insulation Package Includes: Ceiling / Walls / Doors Rolled Valance with Burl wood Accent w/ Fiber Optic Rope Lighting and Indirect white LED Lighting 5-Lighted Acrylic Grab Handles Vinyl Wrapped Pillars with Burl wood Center Accents Vinyl Wrapped Lower Walls with Burl wood Tops and Stainless Glass Holders Vinyl Wrapped Rear Wall with AC Vents and Burl Wood Accent Panel Custom Privacy Shades Package Under Sofa Drawer Storage and Under Seating Floor lights
<b>Ceiling</b>	Center Burl wood Ceiling Panel w/ 10 Magnified LED puck lights, Fiber Optic Back lighting and Fiber Optic Rope Lighting
<b>Partitions</b>	Vinyl Wrapped Front Wall Power Partition w/ 32" TV 24" Rear Luggage Area with 2 Coat Hangers and Overhead Light Gray Trunk Liner Walls
<b>Flooring</b>	Black High Density Sound Damping Coach Flooring Black Snap on and Removable Carpet Runner
<b>Tables/Consoles</b>	Vinyl wrapped Rear Console Between Executive Seating with Cooler, Fiber Optic Rope Lighting HDMI Port, and 12v Power Point  Vinyl wrapped Bar with 2 Burl wood Tops, 6 cup holders, 9 flute glass holders, Mirrored Stainless back with 200 Points of Fiber Optic and Fiber Rope Lighting 2- 24 Can Coolers
<b>Electronics</b>	Complete Electrical System with CPU and 2 Relay Boards 32" TV 1000watt Amp 10" Subwoofer 4 - 2 way 6.5" Speakers Rear Backup Camera with Monitor Rear Stereo with DVD, IPOD, MP3, CD, AM/FM Intercom System
<b>Air/Heat System</b>	46,000 BTU Air/Heat System with 2nd Compressor and Rear Digital Controls

### Exterior Listing

<b>Ground FX</b>	Fiberglass Wide Step Running Boards with Factory Paint Match and Step Treads
------------------	------------------------------------------------------------------------------

<b>Chassis 2012</b>	<b>2500 Mercedes Sprinter 170 Extended Jet Black Exterior</b>  16" Aluminum Mercedes Wheels Power Mirrors / Cruise / PW / PL Mercedes Badging Package with Chrome Trim Grill 2nd Factory Battery Factory High Idle Windows Package with Limo Tint Aux Bracket for 2nd Compressor
-------------------------	--------------------------------------------------------------------------------------------------------------------------------------------------------------------------------------------------------------------------------------------------------------------------------------------------------------

2012 NEW Total Standard Limousine Conversion Price w/ Chassis

\$85,000.00

**Options**

		<b>Option Price</b>	<b>Selected Option</b>
Front Cab	Front Seat Recovers	\$500.00	\$500.00
	5-PC Wood Grain Dash Treatment	\$350.00	\$350.00
	Front Cab Carpet Package with Custom Floormats	\$250.00	\$250.00
Electronics	32" LED TV Mounted in rear wall	\$1,100.00	\$1,100.00
Rear Interior	Gerfloor Wood Style Sound Dampening Coach Flooring	\$600.00	\$600.00
Exterior	Fiberglass Front Bumper Cover with 4" Fog Lights and Stainless grill inserts	\$910.00	\$910.00
Custom Options	2 Decanter Holders 1 on each end of the Bar		

**Total Options** \$ 3,710.00  
**2012 NEW Total Price** \$ 88,710.00

**2012 TRADE SALE PRICE** \$ 55,000.00

**DETAILS:** One Owner in Florida Currently has 44,000 Miles

**Customer Preferences**

Seat Style: Bentley DBL L Seating Matt Finish Black Ostrich All Seating with Dk Mahogany Stitching  
Black Ostrich on the Pillars with Burl wood insert  
Wood Color: Red Burl Wood  
Interior Color: Red Burl Wood  
Accent Color: Black Stitching