

Business  
Contact  
Address  
Phone  
Fax  
Email

Order Date  
Due Date  
Chassis 2015 3500 Mercedes Sprinter  
Conversion 2G Limousine Series



WWW.BCSPRINTER.COM

2994 Paul Drive Elkhart, IN 46514

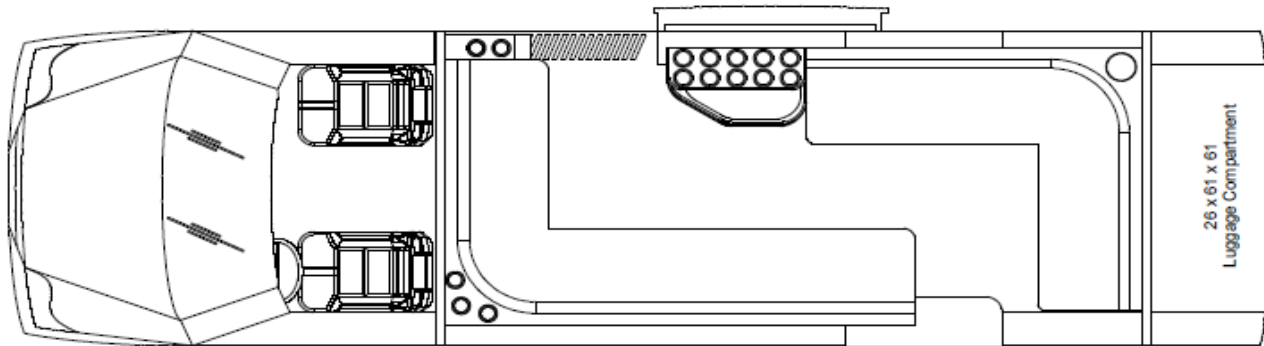
Phone: 574-262-5466

Fax: 574-206-0024

**3500 LIMOUSINE FLOOR PLAN**

**Seating Configurations**

7 Pass Bentley Style L-Sofa with Lap Belts Ultra Soft Touch Material  
6 Pass Bentley Style L-Sofa with Lap Belts Ultra Soft Touch Material



## LIMOUSINE STANDARD FEATURES

### Seating

Bentley Style 'L' Style Seating with Double Needle Accents with LED Floor Perf Stainless Mesh Accent Lights and Open Under-Seat Storage Area  
Rear Bench (6-Passenger with Lap Belts) with Wood Grain Corner Top - Stainless Steel Trash Shoot  
Front Bench (7-Passenger with Lap Belts) with Wood Grain Corner Top - With (3) Cup Holders  
6" Vinyl Wrapped Arm with 2 Cupholders in Door Step

### Walls/Valance

Complete Insulation Package Includes: Ceiling / Walls / Doors  
Valance with Wood Grain Accent Panel Upper Indirect LED Lighting and Ceiling RGB Lighting  
5 Chrome Grab handles with Rubber Ribbed inserts  
Vinyl Wrapped Pillars with Wood Grain Center Accents and Acrylic LED-Lighted Edges  
Headliner Wrapped Lower Walls  
Vinyl Wrapped Rear Wall with Cool Air Returns, Air Vents, and All Audio/Visual Components 32" LED TV with Wood Grain Trim  
Custom Privacy Shades Package

### Ceiling

Starlight Center Ceiling Panel with (6) Magnified LED Puck Lights and RGB Lighting on each side of Center  
Escape Hatch

### Partitions

Vinyl Wrapped Front Wall with Power Partition  
Front Wall Includes 32" LED TV with Wood Grain Trim  
24"x61"x61" Rear Luggage Area with Overhead Light Gray Trunk Liner Walls/Durable Coach Flooring/(2) Coat Hangers

### Flooring

Black High Density Sound Damping Coach Flooring with Black Rubber Step Edge or Carpet  
Removable Carpet Runner with Slip Knot Backing

### Bar

Lighted RGB-Edge Lighting, Vinyl wrapped Bar with Black Vinyl and Carpeted Bottom, (2) Wood Grain Bar Tops  
(10) Flute Glass Holders inside Frosted Insert LED Lighted wood grain doors  
Perforated Stainless Mesh Accent  
(10) Cup Holders, and (1) 48-Can Cooler  
ALL Flute Glass Holders and Cupholders come with Glasses

### Electronics

Complete Electrical System with CPU and 2 Relay Boards Master Driver Control Switch and Rear Switch Panels  
(2) 32" Automotive LED TV-12V FRONT AND REAR  
(1) 1000 watt 5 Channel Amplifier with (2) Built-In Crossovers  
10" Subwoofer with Dual Voice Coil  
(4) Two-Way 6.5" Speakers with Built in Tweeter  
Front Touch Screen Double Din Stereo with CD/ Bluetooth / iPod / MP3 / AM/FM and Rear Camera Visual  
Rear Stereo DBL Din Touch Screen AM/FM, DVD,CD,IPOD,MP3,USB  
Rear 3rd Break light Backup Camera with Visual Ability on Front Touch Screen Stereo  
HDMI Port  
(2) 12Volt Outlet/ USB Port Charging Stations LOCATED Front and Rear wall  
RGB Controller  
(1) 110 outlet  
Front Wall Wired Remote to Rear Stereo

### Air/Heat System

46,000 BTU Air/Heat System with 2nd Compressor, 3 Fan Condenser, Hanging Free Blow Evaporator and Rear Digital Controls

### Exterior Listing

#### Ground FX

Fiberglass Wide Step Running Boards with Factory Paint Match with Ryno lined steps and Full LED Lighted Step  
Emergency Egress Driver Side Escape Window  
Escape Hatch

**Chassis  
2015**

#### **3500 Mercedes Sprinter 170 Extended**

#### **Jet Black Exterior**

6 Cylinder 3.0 Liter Diesel Engine with 20 MPG  
Chrome Wheel Simulators ( Dual Rear Wheels)  
Power Mirrors / Cruise / PW / PL  
Mercedes Badging Package with Chrome Trim Grill  
2nd Factory Battery  
Factory High Idle  
Windows Package with Limo Tint  
Aux Bracket for 2nd Compressor  
Premium Package  
Single Manual Sliding Door

FACTORY GWR 3500: **11,030**

## LIMOUSINE OPTIONS

### Front Cab

QTY

Front Seat Recovers Ultra Soft Touch Material  
5-PC Wood Grain Dash Treatment  
Front Cab Carpet Package with Custom Floor mats  
Remove Front Pass. Seat and Add Steel Luggage Rack  
Safety Package -- Includes (1) 19" Steel Tool Box; (3) Dot Reflective Triangles;  
(1) 2 3/4LB. Fire Extinguisher; (3) 20Min Highway Safety Fuses w/ Wire Stand

### Ceiling Options

Large Angle Mirror Stainless Ceiling with Fiber Optics with Center Perforated Dome Lighted with RGB Color Change LED Glow

### Electronics

I-Control VCS Electrical System with 2-Rear Touch Panel and Driver Master Control Panel  
Sirius Satellite Radio (Rear of Coach)  
Sirius Satellite Radio (Front Driver Compartment)  
46" LED TV Mounted in Rear Compartment for Tailgating  
KVH Digital Satellite Directional TV System (Direct TV)  
*\* Please note: This item has only a 1-Year Factory Warranty and is not covered by Battisti Custom's Standard Warranty*  
Upgrade Front Dash Stereo DBL Din Touch Screen AM/FM, DVD,CD,IPOD,MP3,USB (GPS)  
Advanced Premium Sound 2nd 10" Subwoofer/ Additional 400watt Amp / Premium Component  
6.5" Speakers with Individual Crossover and Tweeter  
RGB Lighting System Upgrade  
Includes all Valances, Pillars, Bars, and Floor Lighting  
Lighting Changes from Blue to Multi-Color System with 25 Different Light Shows  
Pure sine 1000watt Inverter with (4) 110 Individual Outlets on Driver Side Wall  
Remote Start to Work on Factory Mercedes Key-Fob  
(2) Interior Cameras with Passenger Interior View  
Includes Additional Camera View Monitor  
Viper Security Remote Smart-Start System

### Mobile Integrated Technology

**Apple Sync Business Class System:** All Apple Electronics with WI-FI will connect and play on the Smart TV's through the Apple TV System also sound will play through the stereo with use of Bluetooth. This will allow all IPAD & IPHONES to play YouTube, Pandora, Netflix, Etc.... with Audio and Visual wirelessly. IPAD Holder with locking mount case is for customers IPAD, IPAD's are not supplied with this option. (Mirrors what's on the screen of your Apple product)

**Crestron Electrical System:** One Apple IPAD is supplied with this option and also connects the same as APPLE SYNC SYSTEM. The IPAD Supplied will be programed to operate the functions of the vehicle such as: Interior Floor, Ceiling, Indirect lighting, / Power Partition / Rear Air & Heat Function, Etc.... Standard CPU with Relay Electrical System will still be installed with labeled simple function buttons. If customer has additional IPAD's that they would like connected to CRESTRON BC will program at no additional charge and add customers current Apple ID.  
NOTES:  
APPLE SYNC SYSTEM has to be a chosen option to install Crestron System. Customer must supply Apple ID information to be installed on IPAD.

#### IPAD 2nd CONTROL

FUNCTION: This option will add another IPAD to the Vehicle for 2nd passenger control or driver control of Crestron System.

#### WIRELESS INTERNET

FUNCTION: To provide vehicle with wireless internet up to 14 connections through wireless phone company. System is to provide best mobile service possible while vehicle is in motion.  
NOTE: Customer must choose (Verizon or AT&T) as Internet service provider & Customer also must set up service to this product.  
Includes:  
SIERRA WIRELESS MODEM (Verizon or AT&T)

**ANDROID SYNC CHROME CAST SYSTEM:** This option casts any Internet Browser/ Website or Application such as: Pandora, YouTube, and Netflix to you TV. All Battisti Stereos Touchscreen and Bluetooth standard. Simply Bluetooth you Mobile Phone, Computer, Tablet to the Stereo, open the application and press cast icon. (Only mirrors what's on the Internet or running application)

---

### Air/Heat System

2nd Digital Air/Heat System Control Panel  
Larger AC/Heat Free Blow Evaporator to Increase System to 66,000 BTU with rear wall pattern that matches evap blower location to louver location

### Rear Interior

Gerfloor Sound Dampening Upgraded Coach Flooring  
(Color&Style **MUST** be chosen in Customer Preferences Section)  
Front & Rear Wall Large Center Wood Panel  
Under-Seat Drawer Refrigerator (EACH)

### Exterior

Back Up Sensors System ( Alerts driver when rear of vehicle is close to an object)  
Back Up Alarm ( Alarm makes noise when in reverse to make pedestrians aware)  
Rear Hitch with Wiring Package ( Sprinter Has 5,000lbs Towing Capacity)  
Extended Warranty 3year 125,000miles  
(Starts after original 3yr or 36K is Complete)  
(3) Rear Exterior Opera Lights Per Side  
Painted Factory Front Bumper Cover with 3" Fog Lights  
Painted Exterior Moldings - Color-Keyed to Match Paint  
Full Exterior Color Paint Change  
3500 Polished Aluminum Alcoa Wheel Upgrade  
NYDOT EXHAUST PACKAGE additional drive shaft loops and exhaust extension

### Custom Options

---

### Customer Preferences

Seat Style:  
Stitching:  
Seat Color:  
Indirect Lighting:  
Wood Color:  
Interior Color:  
Accent Color:  
Flooring Color:

**NOTE** Wood Floors Have Snaps in Carpet Runner/Carpet Floors Have No Snaps in Carpet Runner

---

**Disclaimer Note Be Advised:**

©2015 Battisti Customs Inc.

**1. Customers are Responsible for all local and Federal DOT Requirements**

Federal Regulations for (VANS) including but not limited to Mercedes Sprinters, Ford Transit, Chrysler ProMaster with Full Back Partition walls that are for Passengers Transportation are required to have a roof escape hatch acting as a rear exit this is an option listed on all Battisti Customs order forms.

10 Passengers or Less will be labeled as a (MPV) on the Secondary Manufactures Door Tag  
11 Passengers or More will be labeled as a (Bus) on the Secondary Manufactures Door Tag



**2. Product & Build Specifications**

**Due to constant improvements in our product, all specifications, dimensions, and equipment availability are subject to change without notification.**

**3. Estimate you vehicles build-time**

**Battisti Customs will not compensate or reimburse any customer's loss of revenue due to a delay in your vehicles production.**

Battisti Customs is always striving to meet or exceed our customer's and dealer's needs. Battisti Customs employees and owners also have good understanding of the urgency to receive your parts or vehicle conversion in a timely manor. Unfortunately due to circumstance beyond our control all ship dates are only good estimates. Battisti Custom's estimates of completion and do not allow for transportation of your vehicles, delay in receiving parts from suppliers, driver arrangements, longer than estimated build-time do to the custom nature of the products we manufacturer.

**Also please allow time beyond your completion date for:**

- A. Longer than estimated lead-time
- B. Transportation
- C. Time to properly D.O.T., and Register your new vehicle.
- D. Dealer P.D.I. and Delivery

**4. Payment and Shipping**

**All Completed Vehicles and Freight Must be paid in full before your vehicle can leave Battisti Custom's Facility and you can take receipt of your new vehicle.**

The State of Indiana Requires that Battisti Customs Inc. receive payment for shipping regardless if the customer picks up the unit. There will be a \$100 Handling Fee for customer pick up on Battisti Customs Units. If you would like Battisti Customs to set up shipping for delivery of your unit it will cost approximately \$1.28 per mile and the \$100 Handling fee will be removed. All shipping charges must be paid before your vehicle is released for delivery.

*Thank you for your business.*

**Customer Signature of Acceptance:** \_\_\_\_\_

**Date:** \_\_\_\_\_