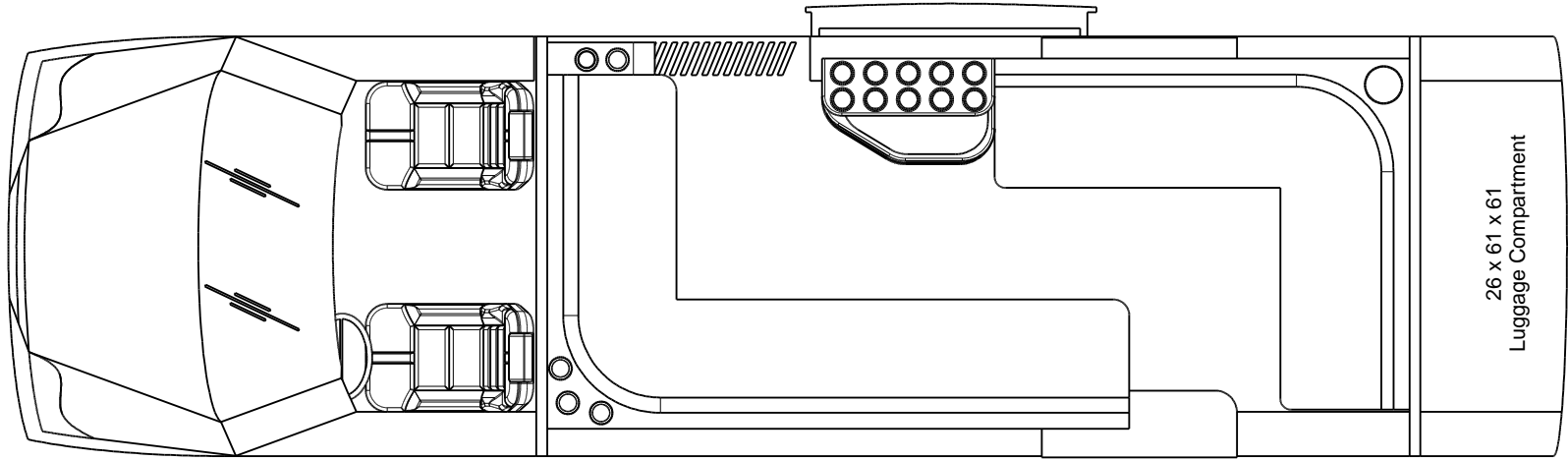




REVISIONS

ZONE	REV	DESCRIPTION	DATE	APPROVED
------	-----	-------------	------	----------



	DRAWN	DATE				
	CHECKED					
	QA					
	MFG		SIZE A	FSCM NO.	DWG NO.	REV
	APPROVED		SCALE			SHEET

